

1.8V-3.3V PicoPLL™, World's Smallest Programmable Clock

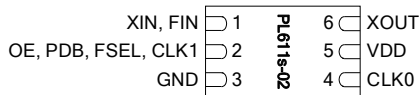
FEATURES

- Lowest-power, smallest Programmable PLL
- Very low Jitter and Phase Noise
- Output Frequency up to:
 - 110MHz @ 1.8V operation
 - 166MHz @ 2.5V operation
 - 200MHz @ 3.3V operation
- Input Frequency:
 - Fundamental Crystal: 10MHz to 50MHz
 - Reference Clock: 1MHz to 200MHz
- Accepts $\geq 0.1V$ reference signal input voltage
- One I/O pin can be configured as Output Enable (OE), Frequency switching (FSEL), Power Down (PDB) input, or CLK1 output.
- $< 10\mu A$ current consumption with PDB active.
- Single 1.8V to 3.3V, $\pm 10\%$ power supply
- Operating temperature range from $-40^{\circ}C$ to $85^{\circ}C$
- Available in 6-pin DFN and SOT23 GREEN/RoHS compliant packages.

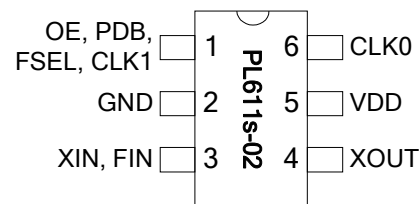
DESCRIPTION

The PL611s-02 is a low-power, small form factor, high performance OTP-base programmable frequency synthesizer and a member of Micrel's PicoPLL Factory Programmable 'Quick Turn Clocks'. Designed to fit in a small DFN or SOT23 package for a broad range of applications, the PL611s-02 offers the best phase noise and jitter performance, and power consumption of its rivals. . In addition, one programmable I/O pin can be configured as Output Enable (OE), Frequency switching (FSEL), Power Down (PDB) input, or CLK1 (F_{OUT}, F_{REF}, F_{REF}/2) output. The power down feature of PL611s-02, when activated, allows the IC to consume less than 10 μA of power, while its programming flexibility allows generating any output, up to 200MHz using a low-cost crystal or reference input.

PACKAGE PIN CONFIGURATION

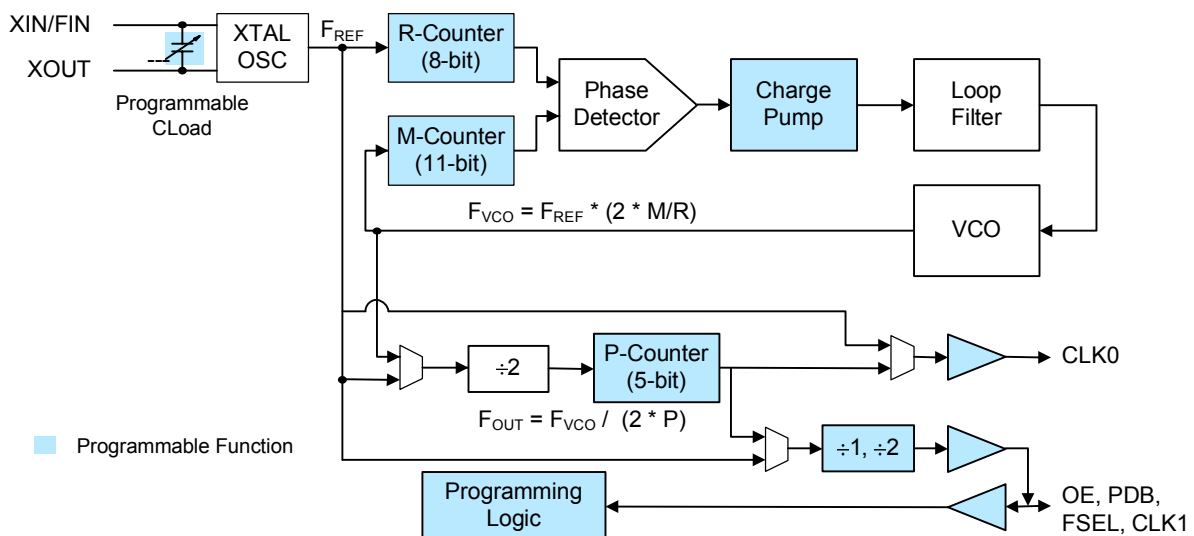


DFN-6L
(2.0 x 1.3 x 0.6mm)



SOT23-6L
(3.0 x 3.0 x 1.35mm)

BLOCK DIAGRAM



1.8V-3.3V PicoPLL™, World's Smallest Programmable Clock
KEY PROGRAMMING PARAMETERS

CLK[0:1] Output Frequency	Output Drive Strength	Programmable Input/Output
$F_{OUT} = F_{REF} * M / (R * P)$ Where M = 11 bit R = 8 bit P = 5 bit $CLK0 = F_{OUT}, F_{REF} \text{ OR } F_{REF} / (2 * P)$ $CLK1 = F_{REF}, F_{REF}/2, CLK0 \text{ OR } CLK0/2$	Three optional drive strengths to choose from: <ul style="list-style-type: none"> • Low: 4mA • Std: 8mA (default) • High: 16mA 	One output pin can be configured as: <ul style="list-style-type: none"> • OE - input • PDB - input • FSEL - input • CLK1 – output

PACKAGE PIN ASSIGNMENT

Name	Pin Assignment		Type	Description			
	SOT23 Pin #	DFN Pin#					
OE, PDB, FSEL, CLK1	1	2	I/O	This programmable I/O pin can be configured as an Output Enable (OE) input, Power Down input (PDB), On-the-Fly Frequency Switching Selector (FSEL), or CLK1 clock output This pin has an internal 60KΩ pull up resistor for OE, PDB & FSEL.			
				State	OE	PDB	FSEL
				0	Tri-State CLK	Power Down Mode	Bank 1
				1 (default)	Normal mode	Normal mode	Bank 2
GND	2	3	P	GND connection			
XIN, FIN	3	1	I	Crystal or Reference Clock input pin			
XOUT	4	6	O	Crystal Output pin			
				Do Not Connect (DNC) when FIN is present			
VDD	5	5	P	VDD connection			
CLK0	6	4	O	Programmable Clock Output			

1.8V-3.3V PicoPLL™, World's Smallest Programmable Clock

FUNCTIONAL DESCRIPTION

PL611s-02 is a highly featured, very flexible, advanced programmable PLL design for high performance, low-power, small form-factor applications. The PL611s-02 accepts a fundamental input crystal of 10MHz to 50MHz or reference clock input of 1MHz to 200MHz and is capable of producing two outputs up to 200MHz. This flexible design allows the PL611s-02 to deliver any PLL generated frequency, F_{REF} (Crystal or Ref Clk) frequency or $F_{REF}/(2 \cdot P)$ to CLK0 and/or CLK1. Some of the design features of the PL611s-02 are mentioned below:

PLL Programming

The PLL in the PL611s-02 is fully programmable. The PLL is equipped with an 8-bit input frequency divider (R-Counter), and an 11-bit VCO frequency feedback loop divider (M-Counter). The output of the PLL is transferred to a 5-bit post VCO divider (P-Counter). The output frequency is determined by the following formula [$F_{OUT} = F_{REF} \cdot M / (R \cdot P)$].

Clock Output (CLK0)

CLK0 is the main clock output. The output of CLK0 can be configured as the PLL output ($F_{VCO}/(2 \cdot P)$), F_{REF} (Crystal or Ref Clk) output, or $F_{REF}/(2 \cdot P)$ output. The output drive level can be programmed to Low Drive (4mA), Standard Drive (8mA) or High Drive (16mA). The maximum output frequency is determined by the Power Supply Voltage; 200MHz at 3.3V, 166MHz at 2.5V and 110MHz at 1.8V.

Clock Output (CLK1)

The CLK1 feature allows the PL611s-02 to have an additional clock output programmed to one of the following:

- F_{REF} - Reference (Crystal or Ref Clk) Frequency
- $F_{REF} / 2$
- CLK0
- CLK0 / 2

Maximum VCO Frequency:

For the best performance, we recommend to use the highest VCO frequency allowed at the power supply voltage where the PL611s-02 will be used. It is actually the maximum VCO frequency that determines the maximum output frequency. When a PL611s-02 is programmed for use at a certain power supply voltage, it is safe to use that part at higher voltages also because at higher voltages the maximum VCO frequency is also higher. The other way around, using the part at a lower voltage than what it was originally configured for, is not safe.

Output Enable (OE)

The Output Enable feature allows the user to enable and disable the clock output(s) by toggling the OE pin. The OE pin incorporates a 60k Ω pull up resistor giving a default condition of logic "1".

Power-Down Control (PDB)

The Power Down (PDB) feature allows the user to put the PL611s-02 into "Sleep Mode". When activated (logic '0'), PDB 'Disables the PLL, the oscillator circuitry, counters, and all other active circuitry. In Power Down mode the IC consumes <10 μ A of power. The PDB pin incorporates a 60k Ω pull up resistor giving a default condition of logic "1".

Frequency Select (FSEL)

The Frequency Select (FSEL) feature allows the PL611s-02 to switch between two pre-programmed outputs allowing the device "On the Fly" frequency switching. The FSEL pin incorporates a 60k Ω pull up resistor giving a default condition of logic "1".



PL611s-02

1.8V-3.3V PicoPLL™, World's Smallest Programmable Clock

ELECTRICAL SPECIFICATIONS

ABSOLUTE MAXIMUM RATINGS

PARAMETERS	SYMBOL	MIN	MAX	UNITS
Supply Voltage Range	V_{DD}	-0.5	7	V
Input Voltage Range	V_I	-0.5	$V_{DD}+0.5$	V
Output Voltage Range	V_O	-0.5	$V_{DD}+0.5$	V
Soldering Temperature (Green package)			260	°C
Data Retention @ 85°C		10		Year
Storage Temperature	T_S	-65	150	°C
Ambient Operating Temperature*		-40	85	°C

Exposure of the device under conditions beyond the limits specified by Maximum Ratings for extended periods may cause permanent damage to the device and affect product reliability. These conditions represent a stress rating only, and functional operations of the device at these or any other conditions above the operational limits noted in this specification is not implied. *Operating temperature is guaranteed by design. Parts are tested to commercial grade only.

DC SPECIFICATIONS

PARAMETERS	SYMBOL	CONDITIONS	MIN	TYP	MAX	UNITS
Supply Current, Dynamic	I_{DD}	$V_{DD} = 3.3V, 30MHz, load = 15pF$		6.0		mA
Supply Current, Dynamic	I_{DD}	$V_{DD} = 2.5V, 30MHz, load = 15pF$		3.9		mA
Supply Current, Dynamic	I_{DD}	$V_{DD} = 1.8V, 30MHz, load = 15pF$		2.1		mA
PLL Off: Supply Current, Dynamic	I_{DD}	$V_{DD} = 3.3V, 30MHz, load = 15pF$		2.0		mA
PLL Off: Supply Current, Dynamic	I_{DD}	$V_{DD} = 2.5V, 30MHz, load = 15pF$		1.6		mA
PLL Off: Supply Current, Dynamic	I_{DD}	$V_{DD} = 1.8V, 30MHz, load = 5pF$		0.8		mA
Supply Current, Dynamic	I_{DD}	When PDB=0			<10	µA
Operating Voltage	V_{DD}		1.62		3.63	V
Power Supply Ramp	t_{PU}	Time for V_{DD} to reach 90% V_{DD} . Power ramp must be monotonic.	.001		100	ms
Output Low Voltage	V_{OL}	$I_{OL} = +4mA$ Standard Drive			0.4	V
Output High Voltage	V_{OH}	$I_{OH} = -4mA$ Standard Drive	$V_{DD} - 0.4$			V
Output Current, Low Drive	I_{OSD}	$V_{OL} = 0.4V, V_{OH} = 2.4V$	4			mA
Output Current, Standard Drive	I_{OSD}	$V_{OL} = 0.4V, V_{OH} = 2.4V$	8			mA
Output Current, High Drive	I_{OHD}	$V_{OL} = 0.4V, V_{OH} = 2.4V$	16			mA

**1.8V-3.3V PicoPLL™, World's Smallest Programmable Clock****AC SPECIFICATIONS**

PARAMETERS	CONDITIONS	MIN	TYP	MAX	UNITS
Crystal Input Frequency (XIN)	Fundamental Crystal	10		50	MHz
Input (FIN) Frequency	@ V _{DD} =3.3V	1		200	MHz
	@ V _{DD} =2.5V			166	
	@ V _{DD} =1.8V			110	
Input (FIN) Signal Amplitude	Internally AC coupled (High Frequency)	0.9		V _{DD}	V _{pp}
Input (FIN) Signal Amplitude	Internally AC coupled (Low Frequency) 3.3V ≤50MHz, 2.5V ≤40MHz, 1.8V ≤15MHz	0.1		V _{DD}	V _{pp}
Output Frequency	@ V _{DD} =3.3V			200	MHz
	@ V _{DD} =2.5V			166	MHz
	@ V _{DD} =1.8V			110	MHz
Settling Time	At power-up (after V _{DD} increases over 1.62V)			2	ms
Output Enable Time	OE Function; Ta=25° C, 15pF Load. Add one clock period to this measurement for a usable clock output.			10	ns
	PDB Function; Ta=25° C, 15pF Load			2	ms
VDD Sensitivity	Frequency vs. V _{DD} +/-10%	-2		2	ppm
Output Rise Time	15pF Load, 10/90% V _{DD} , High Drive, 3.3V		1.2	1.7	ns
Output Fall Time	15pF Load, 90/10% V _{DD} , High Drive, 3.3V		1.2	1.7	ns
Duty Cycle (See MTC-1)	@2.5V and 3.3V over entire frequency range, V _{DD} /2	45	50	55	%
	@1.8V, ≤ 75MHz F _{OUT} , V _{DD} /2	45	50	55	
	@1.8V, 75MHz < F _{OUT} ≤110MHz	40		60	
Period Jitter, Pk-to-Pk* (10,000 samples measured)	With capacitive decoupling between V _{DD} and GND		70		ps

* Note: Jitter performance depends on the programming parameters.

1.8V-3.3V PicoPLL™, World's Smallest Programmable Clock

CRYSTAL SPECIFICATIONS

PARAMETERS		SYMBOL	MIN	TYP	MAX	UNITS
Fundamental Crystal Resonator Frequency		F_{XIN}	10		50	MHz
Crystal Loading Rating (The IC can be programmed for any value in this range)		$C_L (xtal)$	8		12	pF
Maximum Sustainable Drive Level					100	μ W
Operating Drive Level				30		μ W
Metal Can Crystal	Shunt Capacitance	C_0			5.5	pF
	ESR Max	ESR			50	Ω
Small SMD Crystal	Shunt Capacitance	C_0			2.5	pF
	ESR Max	ESR			80	Ω

LAYOUT RECOMMENDATIONS

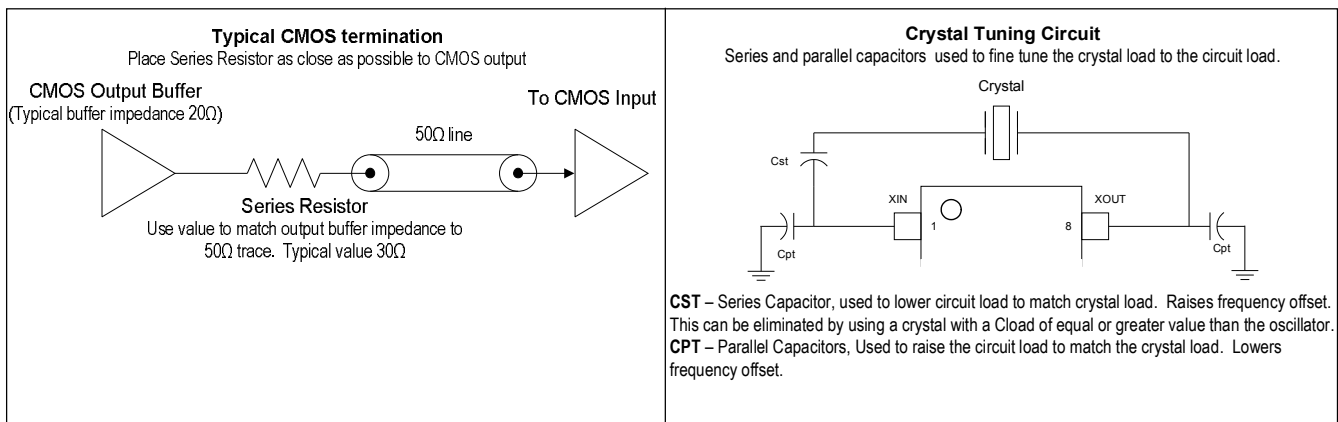
The following guidelines are to assist you with a performance optimized PCB design:

Signal Integrity and Termination Considerations

- Keep traces short!
- Trace = Inductor. With a capacitive load this equals ringing!
- Long trace = Transmission Line. Without proper termination this will cause reflections (looks like ringing).
- Design long traces (> 1 inch) as "striplines" or "microstrips" with defined impedance.
- Match trace at one side to avoid reflections bouncing back and forth.

Decoupling and Power Supply Considerations

- Place decoupling capacitors as close as possible to the VDD pin(s) to limit noise from the power supply
- Multiple VDD pins should be decoupled separately for best performance.
- Addition of a ferrite bead in series with VDD can help prevent noise from other board sources
- Value of decoupling capacitor is frequency dependant. Typical values to use are 0.1μ F for designs using frequencies < 50MHz and 0.01μ F for designs using frequencies > 50MHz.

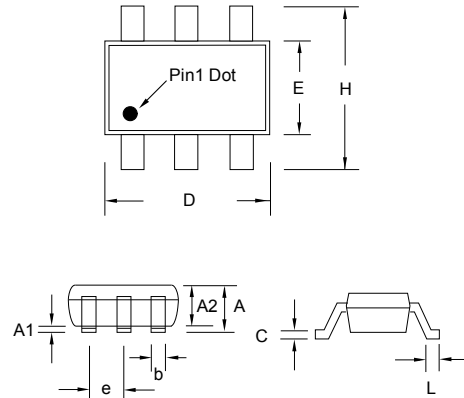


1.8V-3.3V PicoPLL™, World's Smallest Programmable Clock

PACKAGE DRAWINGS (GREEN PACKAGE COMPLIANT)

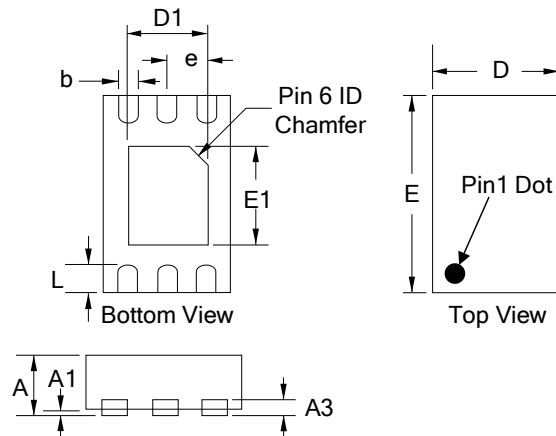
SOT23-6 L

Symbol	Dimension in MM	
	Min.	Max.
A	1.05	1.35
A1	0.05	0.15
A2	1.00	1.20
b	0.30	0.50
c	0.08	0.20
D	2.80	3.00
E	1.50	1.70
H	2.60	3.0
L	0.35	0.55
e	0.95 BSC	



DFN-6L

Symbol	Dimension in MM	
	Min.	Max.
A	0.50	0.60
A1	0.00	0.05
A3	0.152	0.152
b	0.15	0.25
e	0.40BSC	
D	1.25	1.35
E	1.95	2.05
D1	0.75	0.85
E1	0.95	1.05
L	0.20	0.30





PL611s-02

1.8V-3.3V PicoPLL™, World's Smallest Programmable Clock

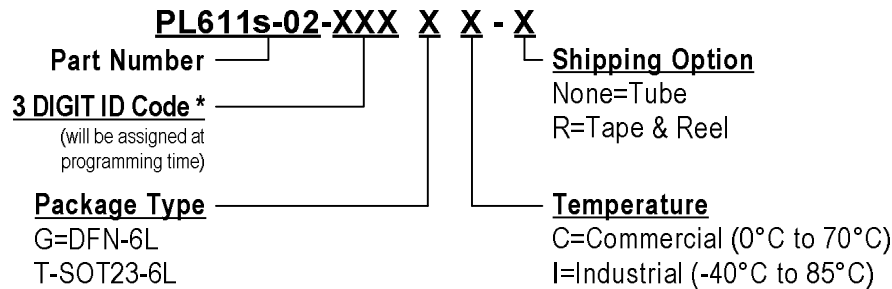
ORDERING INFORMATION (GREEN PACKAGE COMPLIANT)

For part ordering, please contact our Sales Department:

2180 Fortune Drive, San Jose, CA 95131 USA
Tel +1 (408) 944-1668 Fax +1 (408) 474-1000

PART NUMBER

The order number for this device is a combination of the following:
Part number, Package type and Operating temperature range



* PhaseLink will assign a unique 3-digit ID code for each approved programmed part number.

Part/Order Number	Marking†	Package Option
PL611s-02-XXXGC-R	XXX LLL	6-Pin DFN (Tape and Reel)
PL611s-02-XXXTC-R	02XXX LLL	6-Pin SOT23 (Tape and Reel)

* Note: LLL and LLLLL designates lot number

† Note: 'XXX' designates marking identifier that, at times, could be independent of the part number.
Please consult your Micrel sales representative for marking information.

Micrel Inc., reserves the right to make changes in its products or specifications, or both at any time without notice. The information furnished by Micrel is believed to be accurate and reliable. However, Micrel makes no guarantee or warranty concerning the accuracy of said information and shall not be responsible for any loss or damage of whatever nature resulting from the use of, or reliance upon this product.

LIFE SUPPORT POLICY: Micrel's products are not authorized for use as critical components in life support devices or systems without the express written approval of the President of Micrel Inc.

Solder reflow profile available at www.phaselink.com/QA/solderingGreen.pdf